

AL 90 - INTERNAL MIX

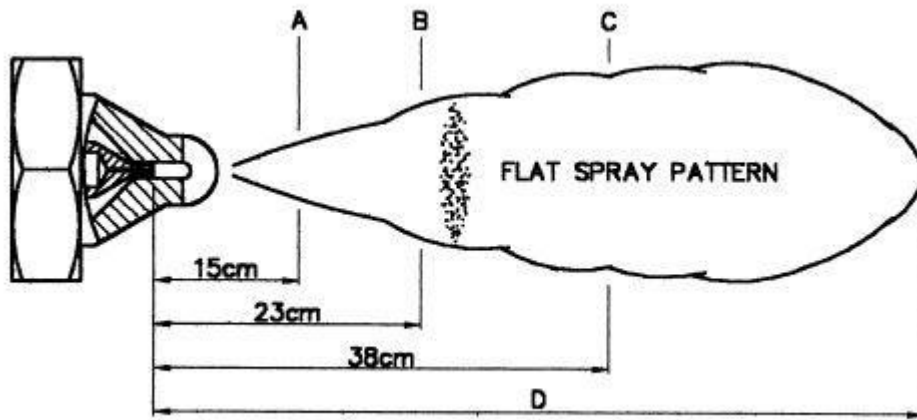
INDUSTRIAL SPRAY NOZZLES - AIR ATOMISING

The AL 90 series produces a flat fan spray pattern with siphoned or gravity fed liquid. Unlike other internal mix types the flow will remain relatively constant with an increase or decrease in air pressure. This allows the user to maintain constant flow rates and adjust atomisation with air pressure.

AL 90
FLAT SPRAY - INTERNAL MIX



CAPACITY CHARTS



CAPACITY CHART

METERING SET NO.	LIQUID TIP & AIR CAP NUMBERS	ATOMISING AIR		LIQUID CAPACITY LITRES/HOUR								SPRAY DIMENSIONS AT 20 CM SIPHON HEIGHT				
		Air Press. Bar.G.	Air Flow L/MIN	Gravity Head				Siphon Height				AIR Bar.G.	A cm	B cm	C cm	D M
				45 cm	30 cm	15 cm	10 cm	20 cm	30 cm	60 cm	90 cm					
90-01	Liquid Tip W13154 - 3	0.7	28	1.3	1.2	1.1	1.0	0.95	0.83	0.64	0.49	0.7	20	26	38	2.1
		1.5	43	1.2	1.1	1.0	0.90	0.86	0.78	0.66	0.54	1.5	21	29	38	2.1
	Air Cap W13160 - 1	2.0	50	0.82	0.76	0.68	0.57	0.50				2.0	23	30	38	1.8
90-02	Liquid Tip W13154 - 4	1.5	56	3.7	3.5	3.3	2.9	2.8	2.5	2.3	2.1	1.5	23	32	38	2.7
		2.0	65	3.4	3.3	3.1	2.8	2.7	2.6	2.4	2.2	2.0	24	34	42	2.7
	Air Cap W13160 - 2	3.0	87	2.8	2.7	2.5	2.4	2.2	2.1	1.9	1.7	3.0	27	37	46	3.0
		4.0	110	1.9	1.8	1.6	1.5	1.3	1.2			4.0	28	39	48	2.7
90-03	Liquid Tip W13154 - 5	1.5	68	5.1	4.8	4.5	3.8	3.7	3.5	3.0	2.4	1.5	19	23	27	3.4
		2.0	78	4.9	4.7	4.4	3.6	3.4	3.2	2.9	2.3	2.0	20	25	28	3.4
	Air Cap W13160 - 3	3.0	103	3.4	3.2	3.0	2.2	2.0	1.7			3.0	22	27	30	3.0
		3.5	117	2.2	2.0	1.7										
90-04	Liquid Tip W13154 - 5	1.5	63	7.6	7.2	6.6	5.7	5.4	5.1	4.6	3.7	1.5	17	22	27	3.4
		2.0	73	7.6	7.3	6.8	5.9	5.7	5.5	5.0	4.2	2.0	18	23	29	3.4
	Air Cap W13160 - 4	3.0	96	6.4	6.1	5.7	5.0	4.5	4.1	3.3		3.0	20	27	33	3.4
		3.5	110	4.2	3.7	3.2	2.6									